

Experienced in
High-Tech
**Electrical
Solutions**



omni

2023

INDEX

01 /	iPanda	03-06
02 /	MiraHub	07
03 /	Oval	08-10
04 /	Create	11-15
05 /	Triones	16-17
06 /	Power Strip	18-20
07 /	Power Linker	21-26
08 /	Docker	27

About Us



OFFICE



EDUCATION



LEISURE



HEALTH CARE



HOME OFFICE

Omni was founded in 2004, with the idea to become a professional office furniture manufacturer in Yangzhou, (near Shanghai). With a professional in-house design and engineering team, as well as an after service center our current products include cubicles, height adjustable tables, benching workstations, seating, power solutions, and office accessories.

Omni Electric, established in 2015, aimed at provide a power solution for our office furniture. These products include power sockets, control boxes, wire management systems, and more.

This enables omni to achieve a highly respected reputation in the commercial office and cable management industry, providing cost effective and innovative products for all clients.



WHAT WE DO

Omni Electrics are experts in designing and manufacturing power and data distribution solutions. That's why our products can now be found in commercial office, home office, hospitals, education, hotel and etc ,all over the world.

WE MOULD

We mould our own metal&plastic parts in-house. This gives us complete control of quality and quantities which, in turn, has the effect of building confidence with our clients.

WE DESIGN

Our Design director-Tim Wallace(personal website: <http://www.timwallacedesign.com>)the top 5 designer of Herman Miller, worked more than 20 years, force for flexibility design ahead of time.

WE ENGINEER

With a fully equipped Engineering Department, we have the strong ability for OEM &ODM development, flexibility to be able to respond quickly and effectively to your needs.

WE PAINT

Having our in-house paint shops allows us the speed and flexibility to paint your product quickly and efficiently. We can match any color you choose, allowing you to color your units to compliment your furniture or room.

WE TEST

We test each and every socket! Whatever the unit, whatever the country each socket get tested.

iPanda

Omni is the FIRST and ONLY China supplier to get the Qi certification, as well as the USB 65W and wireless charging together.



We are proud to offer a UL962A/CUL962A standard for this item.
iPanda has been designed to charge the latest Qi enabled devices by simply placing the device on the module.

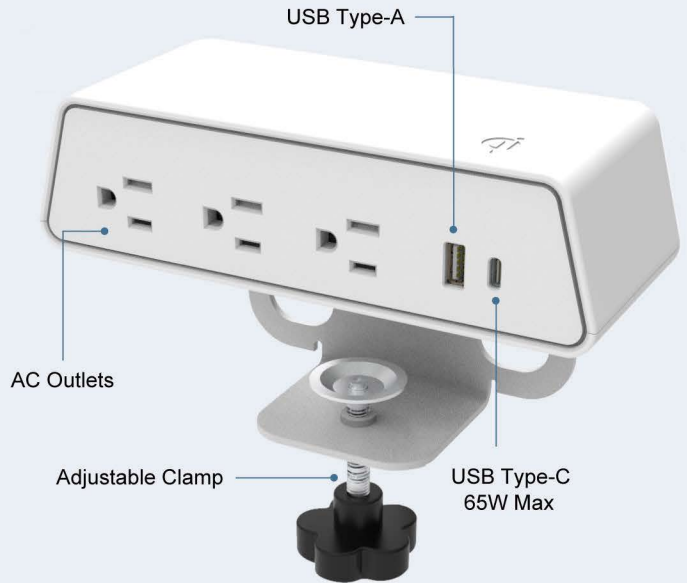
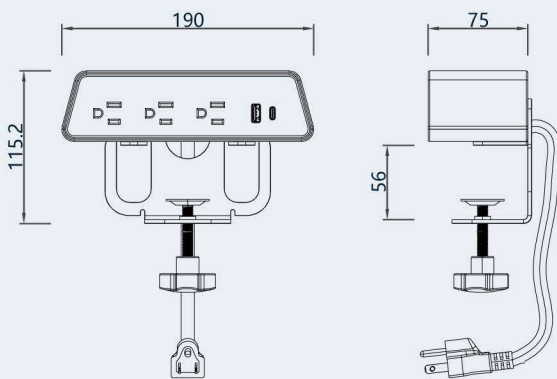
OME002.3A1U1C

Standard Color



Features

Edge mount 3A1U1C power socket with a built-in wireless charger.



Certifications



Warranty

3 years, parts only



Specifications

Ports	AC Outlets 3xNEMA 5-15R USB Ports 1xUSB-A, 1xUSB-C
Cord	Length 5'8" (172.7cm)
Electrical Rating	Power Outlets 120V AC; 60Hz (15A max) USB Ports Support: PD3.0+PPS, QC 3.0 1) USB-A: 5V-3A; 9V-2A; 12V-1.5A QC 3.0 2) USB-C: 5V-A; 9V-2A; 12V-2A; 15V-3A; 20V-3.25A PD3.0 PPS 3.3-15V-3A USB-A + USB-C: 5V/3A (45W)
Environmental	Temperature Operating 0°C to 30°C Temperature Operating Storage -10°C to 50°C
Quick Charging Support Protocol	Type A QC 2.0、3.0 Apple2.4A、 Samsung5V 2A、 QC3.0 3.6V~12V、 DCP1.5A、 QC2.0 9V12V、 Samsung AFC 9V12VS Type C PD 3.0 Apple2.4A、 Samsung5V 2A、 QC3.0 3.6V~12V、 DCP1.5A、 QC2.0 9V12V、 Samsung AFC 9V12VS. Qi Wireless Charge With wireless charging functions of 5W, 7.5W, 10W and 15W, it can automatically identify the highest power output according to the wireless charging protocol of the charged device.
Package	1Pc/Box; 20Pcs/Ctn; 4800Pcs/20'GP

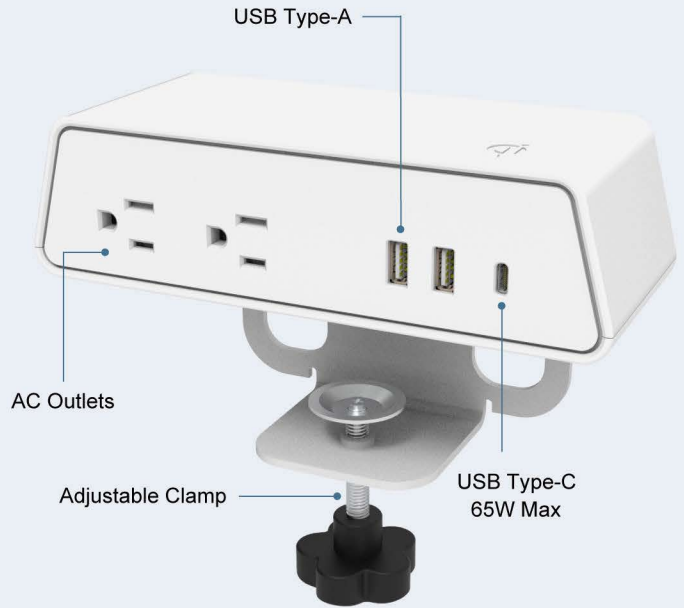
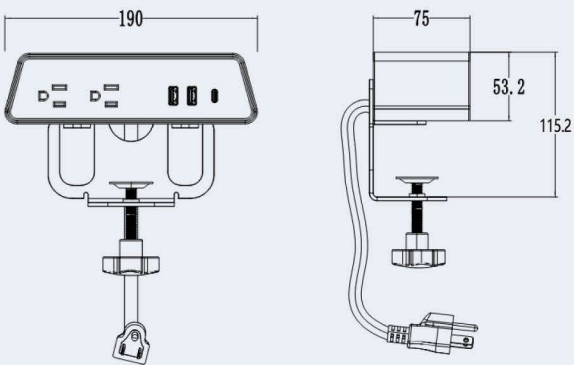
OME001.2A2U1C

Standard Color



Features

Edge mount 2A2U1C power socket with a built-in wireless charger.



Certifications



Warranty

· 3 years, parts only



Specifications

Ports	AC Outlets 2xNEMA 5-15R USB Ports 2xUSB-A, 1xUSB-C
Cord	Length 5'8" (172.7cm)
Electrical Rating	Power Outlets 120V AC; 60Hz (15A max) USB Ports Support: PD3.0+PPS, QC 3.0 1) USB-A: 5V-3A; 9V-2A; 12V-1.5A QC 3.0 2) USB-C: 5V-A; 9V-2A; 12V-2A; 15V-3A; 20V-3.25A PD3.0 PPS 3.3-15V-3A USB-A + USB-C: 5V/3A (45W)
Environmental	Temperature Operating 0°C to 30°C Temperature Operating Storage -10°C to 50°C
Quick Charging Support Protocol	Type A QC 2.0、3.0 Apple2.4A、 Samsung5V 2A、 QC3.0 3.6V~12V、 DCP1.5A、 QC2.0 9V12V、 Samsung AFC 9V12VS Type C PD 3.0 Apple2.4A、 Samsung5V 2A、 QC3.0 3.6VT2V、 DCP1.5A、 QC2.0 9V12V、 Samsung AFC 9V12V、 PD3.0 PPS 65W Qi Wireless Charge With wireless charging functions of 5W, 7.5W, 10W and 15W, it can automatically identify the highest power output according to the wireless charging protocol of the charged device.
Package	1Pc/Box; 20Pcs/Ctn; 4800Pcs/20'GP

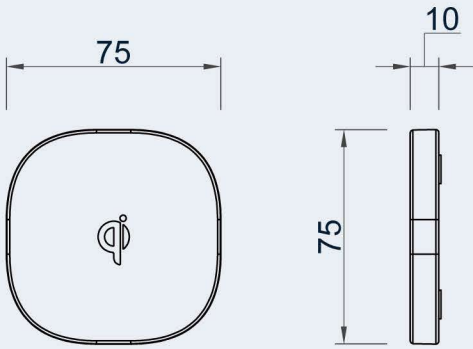
OME009

Standard Color



Features

Qi wireless charger makes wireless charging a snap.



Certifications



Warranty

· 3 years, parts only



Specifications

Ports	Wireless
Cord	Length 3'9"(100cm)
Electrical Rating	Qi wireless charge, Max 15w
Environmental	Temperature Operating 0°C to 30°C Temperature Operating Storage -10°C to 50°C
Package	1Pc/Box; 100Pcs/Ctn; 62400Pcs/20'GP

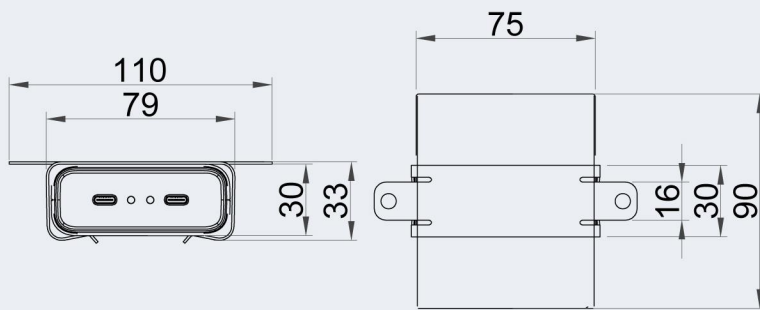
OME020

Standard Color



Features

MiraHub has two mounting styles to easily blend into your work surface and bring power where you need it. Whether put on top of your work surface or hanging out below, MiraHub's subtle design easily powers tablets, cell phones, and more.



Certifications



Warranty

· 3 years, parts only



Specifications

Ports	2XUSB-C
Cord	3'11"(120cm)
Electrical Rating	USB Ports 1)USB-C1: 5V 3A,9V 3A,12V 3A,15V 3A,20V 3.25A 65W 2)USB-C2: 5V 3A,9V 3A,12V 3A,15V 3A,20V 3.25A 65W Both ports connected USB-C1: 5V 3A,9V 3A,12V 2.5A,15V 2.0A,20V 1.5A 30W USB-C2: 5V 3A,9V 3A,12V 2.5A,15V 2.0A,20V 1.5A 30W
Environmental	Temperature Operating 0°C to 30°C Temperature Operating Storage -10°C to 50°C
Package	1Pc/Box

Oval

The Oval series features outlets that deliver AC power for high power devices, as well innovative USB port.

Each USB port utilizes a smart device recognition chip to monitor and independently deliver the required amperage to your devices ,charge them in half the time and save more time for users.



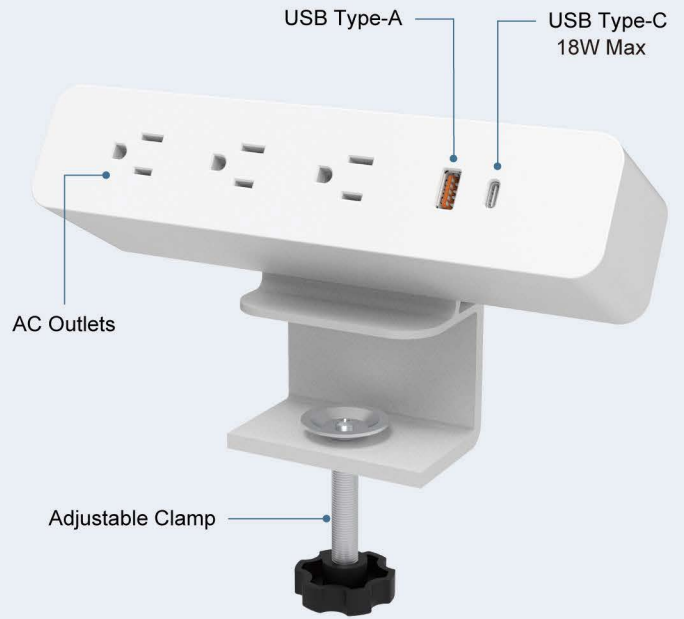
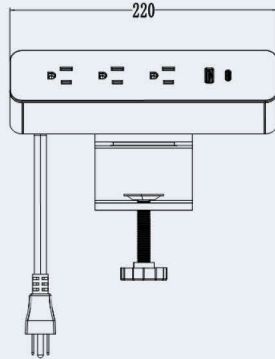
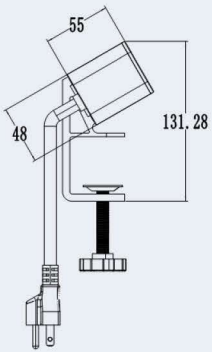
OME005.3A1U1C.1

Standard Color



Features

- Three AC outlets, a standard USB-A port and a tech-forward USB-C port for powering all the newest tech devices.
- Smart power distribution technology balances power delivery to devices base on the ports in use, preventing overcharging and short-circuiting.
- Installation option: side clamp for easy, quick and tool-free installation.



Certifications



Warranty

- 3 years, parts only



Specifications

Ports	AC Outlets 3xNEMA 5-15R USB Ports 1xUSB-A, 1xUSB-C
Cord	Length 5'8" (172.7cm)
Electrical Rating	Input Voltage 120VAC, 60Hz, (12A max) USB Ports Connected to one of the two ports 1) USB-A: 5V/3A, 9V/2A, 12V/1.5A (18W max), QC 2.0/3.0 2) USB-C: 5V/3A, 9V/2A, 12V/1.5A (18W max), PD 3.0 Both ports connected USB-A and USB-C: 5V/3A (15W max)
Environmental	Temperature Operating 0°C to 30°C Temperature Operating Storage -10°C to 50°C
Package	1Pc/Box, 12Pcs/Ctn; 5200Pcs/20'GP

Available Models



OME005.3A1U1C.2



OME005.3A1U1C.3



OME005.3A1U1C.4

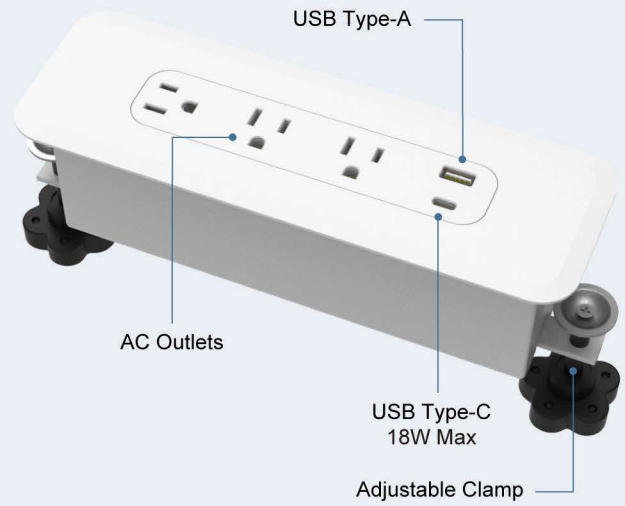
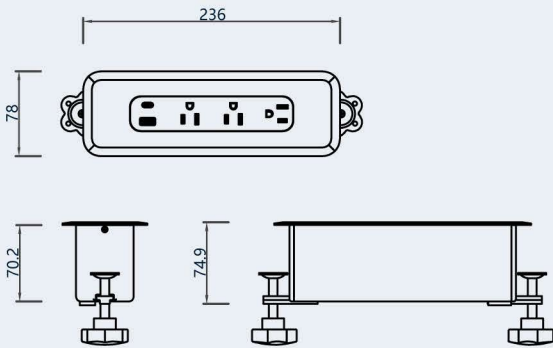
OME003.3A1U1C.1

Standard Color



Features

- Three AC outlets, a standard USB-A port and a tech-forward USB-C port for powering all the newest tech devices.
- Smart power distribution technology balances power delivery to devices base on the ports in use, preventing overcharging and short-circuiting.
- Installation option: recessed in desktop.



Certifications



Warranty

- 3 years, parts only



Specifications

Ports	AC Outlets 3xNEMA 5-15R USB Ports 1xUSB-A, 1xUSB-C
Cord	Length 5'8" (172.7cm)
Electrical Rating	Input Voltage 120VAC, 60Hz, (12A max) USB Ports Connected to one of the two ports 1) USB-A: 5V3A, 9V2A, 12V1.5A (18W max), QC 2.0/3.0 2) USB-C: 5V3A, 9V2A, 12V1.5A (18W max), PD 3.0 Both ports connected USB-A and USB-C: 5V/3A (15W max)
Environmental	Temperature Operating 0°C to 30°C Temperature Operating Storage -10°C to 50°C
Package	1Pc/Box, 10Pcs/Ctn; 4100Pcs/20'GP

Available Models



OME003.3A1U1C.3



OME003.3A1U1C.4



OME003.3A1U1C.5

Create



The Create series is offered in a side clamp, under option, with UL 962A and CUL 962A certification.

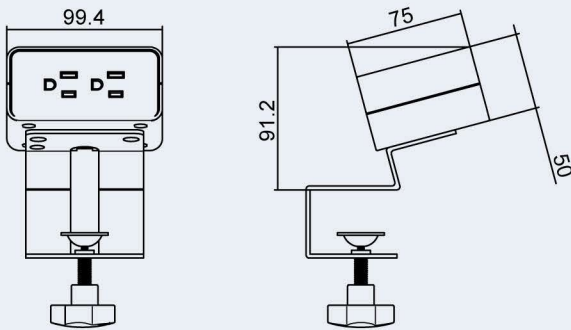
OM-2A

Standard Color



Features

- 2 Power Sockets
- Installation option: side clamp for easy, quick and tool-free installation



Certifications



Warranty

- 3 years, parts only



Specifications

Ports	AC Outlets 2xNEMA 5-15R
Cord	Length 5'8" (172.7cm)
Electrical Rating	Input Voltage 120VAC, 60Hz, (12A max)
Environmental	Temperature Operating 0°C to 30°C Temperature Operating Storage -10°C to 50°C
Package	1Pc/Box, 16Pcs/Ctn; 7200Pcs/20'GP

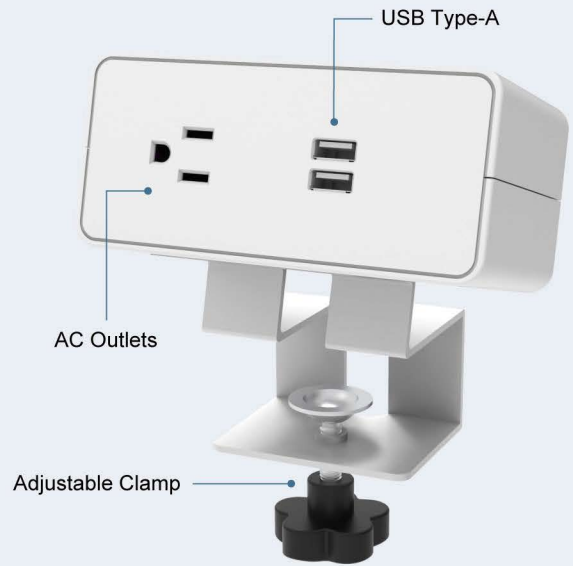
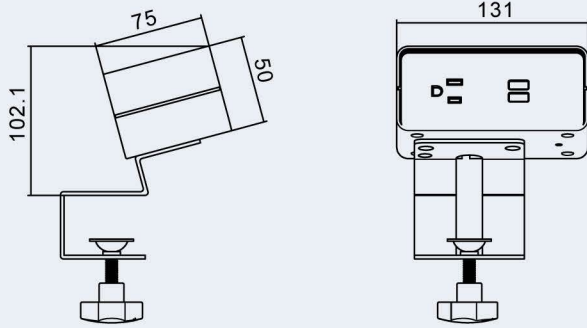
OM-1A2U

Standard Color



Features

- 1 Power Sockets + 2 USB
- Installation option: side clamp for easy, quick, and tool-free installation



Certifications



Warranty

- 3 years, parts only



Specifications

Ports	AC Outlets 1xNEMA 5-15R USB Ports 2xUSB-A
Cord	Length 5'8" (172.7cm)
Electrical Rating	Input Voltage 120VAC, 60Hz, (12A max) USB Ports Connected to one of the two ports USB-A: 5V/3A, 9V/2A, 12V/1.5A (15W max) Both ports connected USB-A: 5V/1.5A (10W max)
Environmental	Temperature Operating 0°C to 30°C Temperature Operating Storage -10°C to 50°C
Package	1Pc/Box, 16Pcs/Ctn; 7200Pcs/20'GP

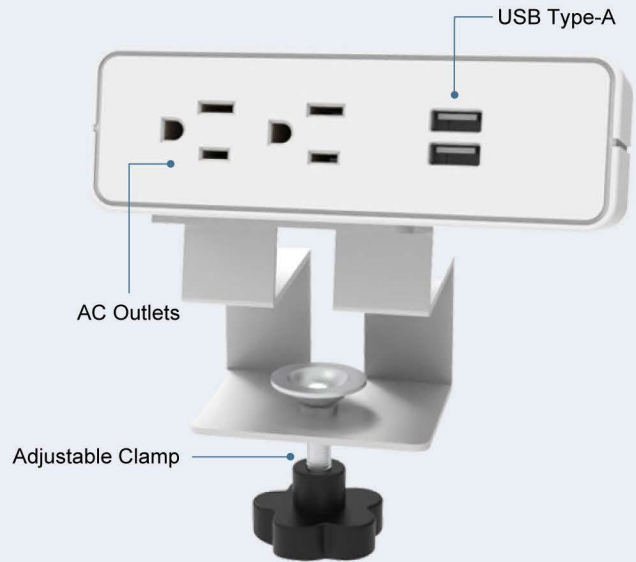
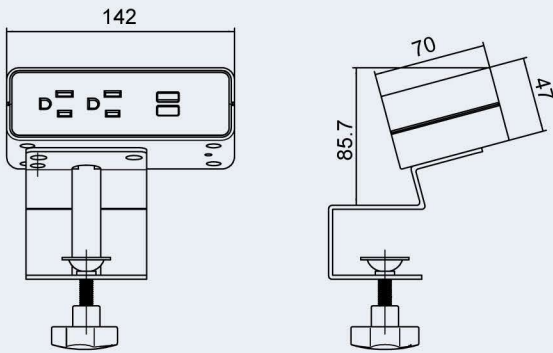
OM-2A2U

Standard Color



Features

- 2 Power Sockets + 2 USB
- Installation option: side clamp for easy, quick, and tool-free installation



Certifications



Warranty

- 3 years, parts only



Specifications

Ports	AC Outlets 2xNEMA 5-15R USB Ports 2xUSB-A
Cord	Length 5'8" (172.7cm)
Electrical Rating	Input Voltage 120VAC, 60Hz, (12A max) USB Ports Connected to one of the two ports USB-A: 5V/3A, 9V/2A, 12V/1.5A (15W max) Both ports connected USB-A: 5V/1.5A (10W max)
Environmental	Temperature Operating 0°C to 30°C Temperature Operating Storage -10°C to 50°C
Package	1Pc/Box, 16Pcs/Ctn; 7200Pcs/20'GP

OM-2A1U1C

Standard Color

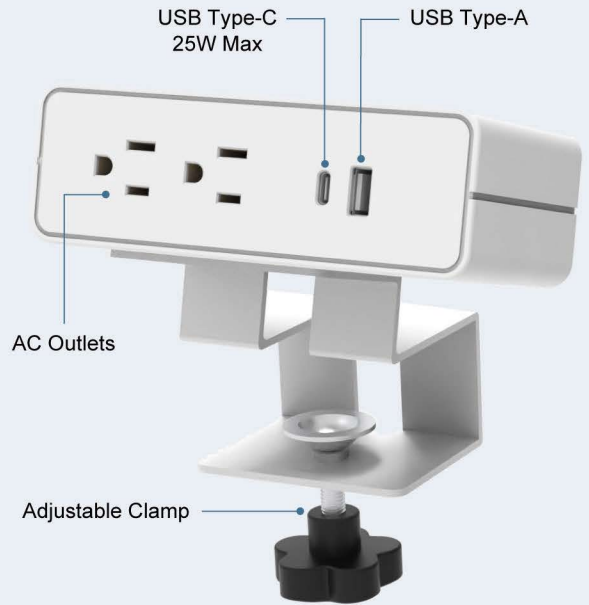
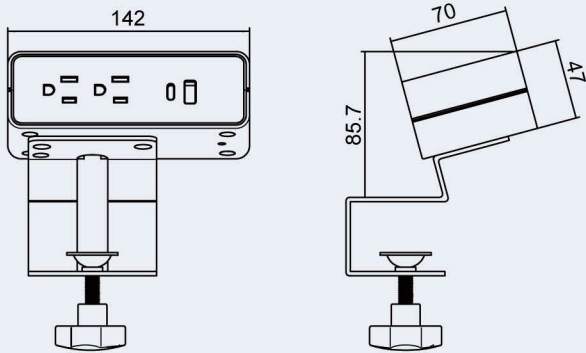


BK

WH

Features

- 2 Power Sockets + 1 USB + 1 Type-C
- Installation option: side clamp for easy, quick, and tool-free installation



Certifications



Warranty

· 3 years, parts only



Specifications

Ports	AC Outlets 2xNEMA 5-15R USB Ports 1xUSB-A, 1xUSB-C
Cord	Length 5'8" (172.7cm)
Electrical Rating	Input Voltage 120VAC, 60Hz, (12A max) USB Ports Connected to one of the two ports 1) USB-A: 5V/3A, 9V/2A, 12V/1.5A (15W max) 2) USB-C: 5V/3A, 9V/2.2A, 15V/1.4A, 20V/1.25A (25W max) Both ports connected USB-A: 5V/1.5A (10W max) USB-C: 5V/2.0A (10W max)
Environmental	Temperature Operating 0°C to 30°C Temperature Operating Storage -10°C to 50°C
Package	1Pc/Box, 16Pcs/Ctn; 7200Pcs/20'GP

Triones

The Triones is a convenient power solution that offers the desktop charging power for your devices. The USB Type-C charging port is Quick Charge(QC) and Power Delivery(PD) enabled and is perfect for rapid charging smart phones, tablets and many laptops.



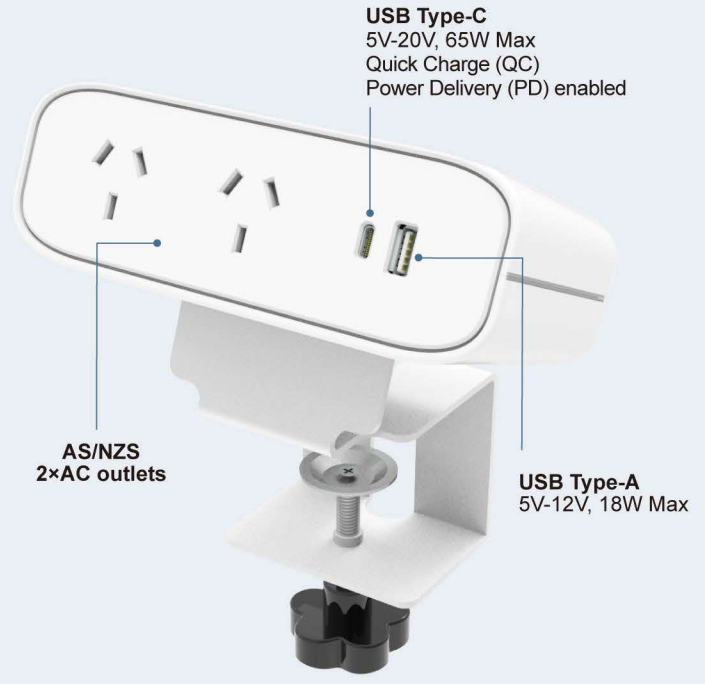
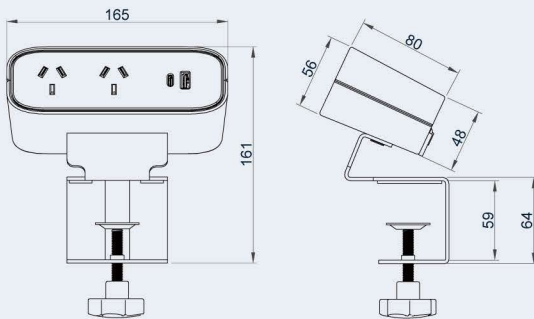
OME015

Standard Color



Features

- Modular code-compliant power listed for use in AU. Connect up to two of our power units together USB and USB-C to create a system of power for training spaces, workstations or flexible spaces.
- Circuit breaker You will notice that our units (backside), a circuit breaker.
- Easy installation. On surface-side clamp units can be mounted using clamp (for a damage-free install).
- Quick charge. Quick Charge(QC) and Power Delivery(PD) enabled and is perfect for rapid charging smart phones, tablets and many laptops.



Certifications



Warranty

• 3 years, parts only

AU Modular as reference EU/UK modular can be available



Specifications

Ports	AC Outlets 2xAS/NZ USB Ports 1xUSB-A, 1xUSB-C
Cord	Length 5'8" (172.7cm)
Electrical Rating	Input Voltage 250VAC, 50Hz, 10A max USB Ports Output Method No. 1, single type-c PD output: 5Vd.c. 3A, 9Vd.c. 3A, 12Vd.c. 3A, 15Vd.c. 3A, 20Vd.c. 3.25A, PPS: 3.3-20Vd.c. 3A Output Method No. 2, single type-a QC output: 5Vd.c. 3A, 9Vd.c. 2A, 12Vd.c. 1.5A Output Method No. 3, type-a QC and type-c PD output: type-c PD, 5Vd.c. 3A, 9Vd.c. 3A, 12Vd.c. 3A, 15Vd.c. 3A, 20Vd.c. 2.25A, PPS 3.3-15Vd.c. 3A, type-a QC, 5Vd.c. 3A, 9Vd.c. 2A, 12Vd.c. 1.5A
Environmental	Temperature Operating 0°C to 30°C Temperature Operating Storage -10°C to 50°C
Package	1Pc/Box, 20Pcs/Ctn; 4900Pcs/20'GP

Available Models



OME021
EU Modular



OME025
UK Modular



Power Strip

Omni creates a stylish and modern look, provides users with multiple points of power access by offering AC receptacles alongside dual USB charging ports.



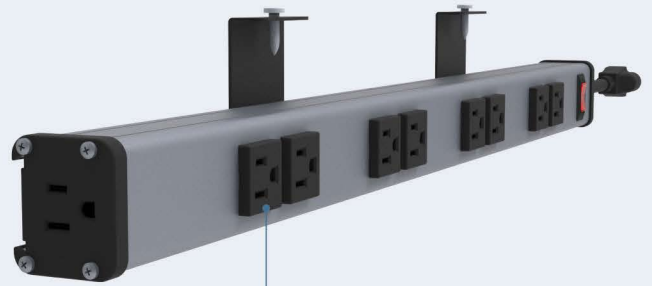
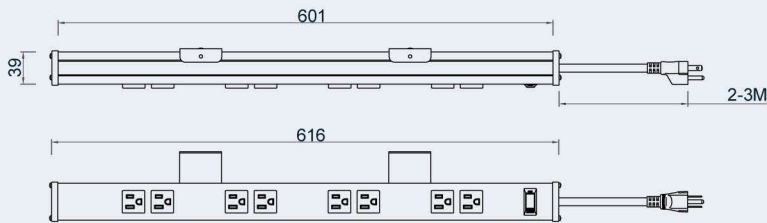
OME10A

Standard Color



Features

- Power strip power cable management solution, easily connect in series between the power bars.
- Made of aluminum alloy, sturdy metal housing is durably constructed.
- Smooth design with customized multiple outlets, such as 6,8,10 outlets, meets your demand to charge many devices simultaneously.
- Easy to install, mounting brackets allows you to secure your power bar almost anywhere.
- On/Off Switch with Built In Circuit Breaker. Optional surge circuit protection.



AC Outlets

Certifications



Warranty

· 3 years, parts only



Specifications

Ports	AC Outlets 6/8/10 x AC Power
Cord	Length 5'8" (172.7cm)
Electrical Rating	Input Voltage 120VAC, 60Hz, 15A max
Environmental	Temperature Operating 0°C to 30°C Temperature Operating Storage -10°C to 50°C
Package	1Pc/Box; 30Pcs/Ctn; 6450Pcs/20'GP

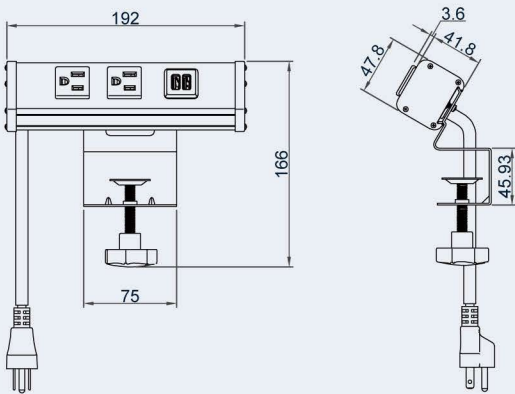
OME010BS

Standard Color



Features

Omni creates a stylish and modern look, provides users with multiple points of power access by offering AC receptacles alongside dual USB charging ports.



Certifications



Warranty

· 3 years, parts only



Specifications

Ports	AC Outlets 2×NEMA 5-15R
	USB Ports 2×USB-A
Cord	Length 5'8" (172.7cm)
Electrical Rating	Input Voltage 120VAC, 60Hz, 15A max
	USB Ports: USB-A: 5V 3A, 9V 2A, 12V 1.5A
Environmental	Temperature Operating 0°C to 30°C
	Temperature Operating Storage -10°C to 50°C
Package	1Pc/Box; 12Pcs/Ctn

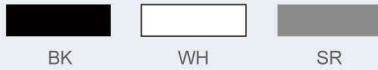
Power Linker

Power Linker is designed for easily access to the power and data in common areas and public environments. It is the ultimate power & charging hub as it is equipped with AC outlets, USB Type-A and USB Type-C charging ports that are easily accessible from all directions.



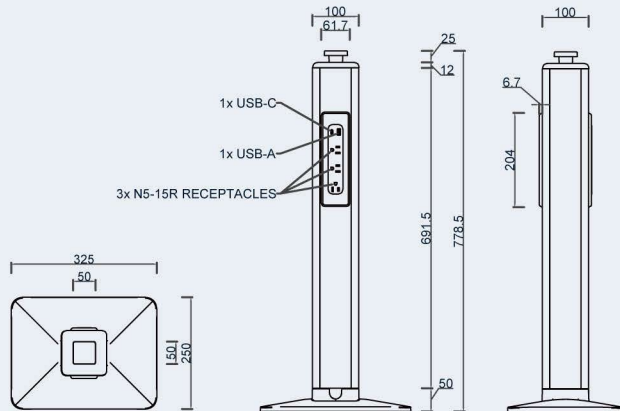
PBK-1WAY

Standard Color



Features

The Power Linker is an elegant solution supplying all work areas with power and data. Interchangeable modules for plug and data ensure unlimited flexibility for future requirements at the workspace.



Certifications



Warranty

· 3 years, parts only



Specifications

Ports	AC Outlets 3xNEMA 5-15R USB Ports 1xUSB-A, 1xUSB-C
Cord	Length 5'8" (172.7cm)
Electrical Rating	Input Voltage 120VAC, 60Hz, (12A max) USB Ports Connected to one of the two ports 1) USB-A: 5V/3A, 9V/2A, 12V/1.5A (18W max), QC 2.0/3.0 2) USB-C: 5V/3A, 9V/2A, 12V/1.5A (18W max), PD 3.0 Both ports connected USB-A and USB-C: 5V/3A (15W max)
Environmental	Temperature Operating 0°C to 30°C Temperature Operating Storage -10°C to 50°C
Package	1Pc/Ctn; 370Pcs/20'GP

Available Models



PBK-1WAY-10

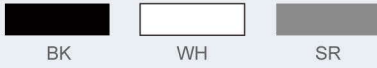
PBK-2WAY-20

PBK-3WAY-30

PBK-4WAY-40

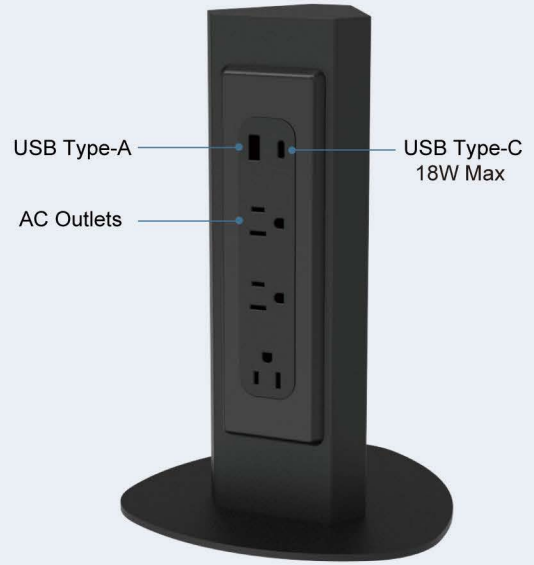
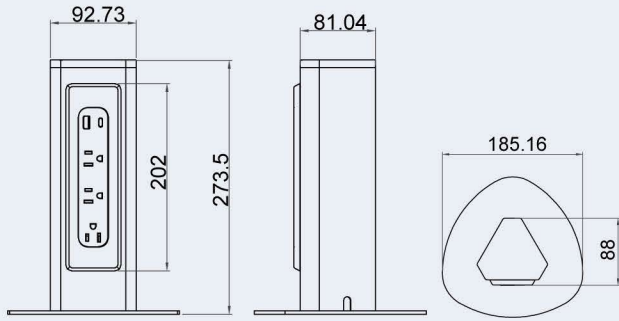
PS11

Standard Color



Features

Power linker is designed for easily access to the power and data freestanding on the desk. It is the ultimate power & charging hub as it is equipped with AC outlets, USB Type-A and USB Type-C charging ports that are easily accessible from all directions. It could be widely used in the office, meeting room, leisure area, reception area, or at home.



Certifications



Warranty

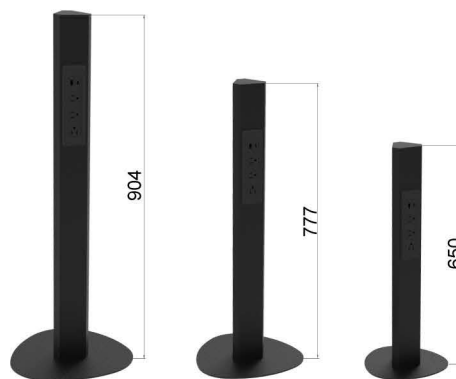
· 3 years, parts only



Specifications

Ports	AC Outlets 3xNEMA 5-15R USB Ports 1xUSB-A, 1xUSB-C
Cord	Length 5'8" (172.7cm)
Electrical Rating	Input Voltage 120VAC, 60Hz, (12A max) USB Ports Connected to one of the two ports 1) USB-A: 5V3A, 9V2A, 12V1.5A (18W max), QC 2.0/3.0 2) USB-C: 5V3A, 9V2A, 12V1.5A (18W max), PD 3.0 Both ports connected USB-A and USB-C: 5V/3A (15W max)
Environmental	Temperature Operating 0°C to 30°C Temperature Operating Storage -10°C to 50°C
Package	1Pc/Ctn; 3000Pcs/20'GP

Height Option



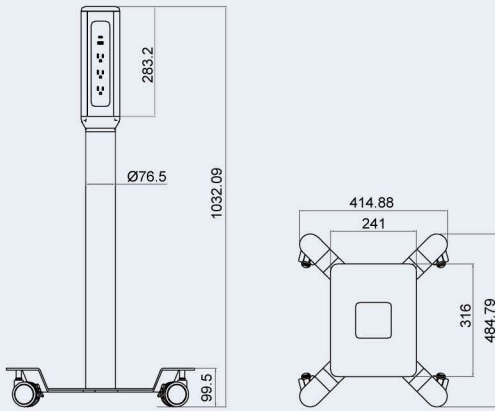
PS03

Standard Color



Features

Power Linker is designed for easily access to the power and data in common areas and public environments. It is the ultimate power & charging hub as it is equipped with AC outlets, USB Type-A and USB Type-C charging ports that are easily accessible from all directions. It is designed with aluminum body and sturdy steel base with movable casters for product security and mobility.



Certifications



UL Power Modular Parts

Warranty

· 3 years, parts only



Specifications

Ports	AC Outlets 3xNEMA 5-15R USB Ports 1xUSB-A, 1xUSB-C
Cord	Length 5'8" (172.7cm)
Electrical Rating	Input Voltage 120VAC, 60Hz, (12A max) USB Ports Connected to one of the two ports 1) USB-A: 5V3A, 9V2A, 12V1.5A (18W max), QC 2.0/3.0 2) USB-C: 5V3A, 9V2A, 12V1.5A (18W max), PD 3.0 Both ports connected USB-A and USB-C: 5V/3A (15W max)
Environmental	Temperature Operating 0°C to 30°C Temperature Operating Storage -10°C to 50°C
Package	1Pc/Ctn; 330Pcs/20'GP

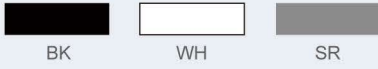
Available Base



PS02

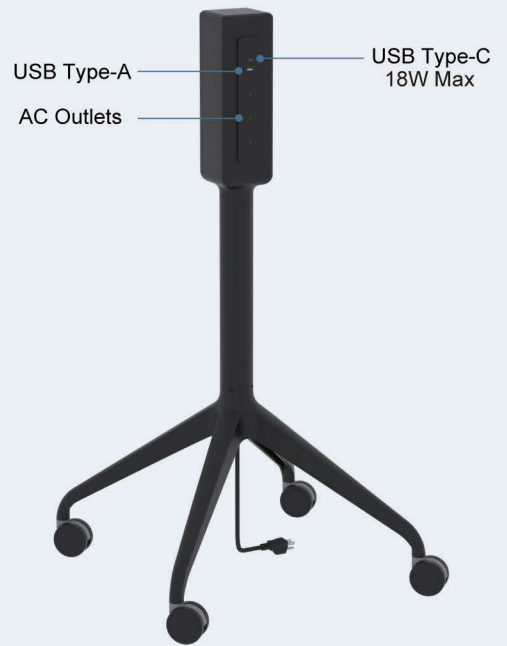
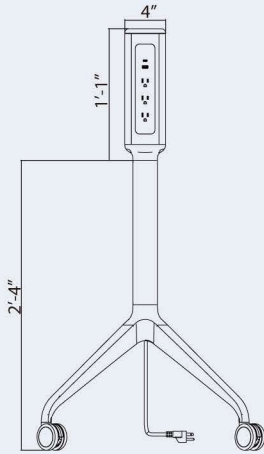
PS13

Standard Color



Features

Power Linker is designed for easily access to the power and data in common areas and public environments. It is the ultimate power & charging hub as it is equipped with AC outlets, USB Type-A and USB Type-C charging ports that are easily accessible from all directions.



Certifications



Warranty

· 3 years, parts only



Specifications

Ports	AC Outlets 3xNEMA 5-15R USB Ports 1xUSB-A, 1xUSB-C
Cord	Length 5'8" (172.7cm)
Electrical Rating	Input Voltage 120VAC, 60Hz, (12A max) USB Ports Connected to one of the two ports 1) USB-A: 5V3A, 9V2A, 12V1.5A (18W max), QC 2.0/3.0 2) USB-C: 5V3A, 9V2A, 12V1.5A (18W max), PD 3.0 Both ports connected USB-A and USB-C: 5V/3A (15W max)
Environmental	Temperature Operating 0°C to 30°C Temperature Operating Storage -10°C to 50°C
Package	1Pc/Ctn; 170Pcs/20'GP

Available Base



PS14

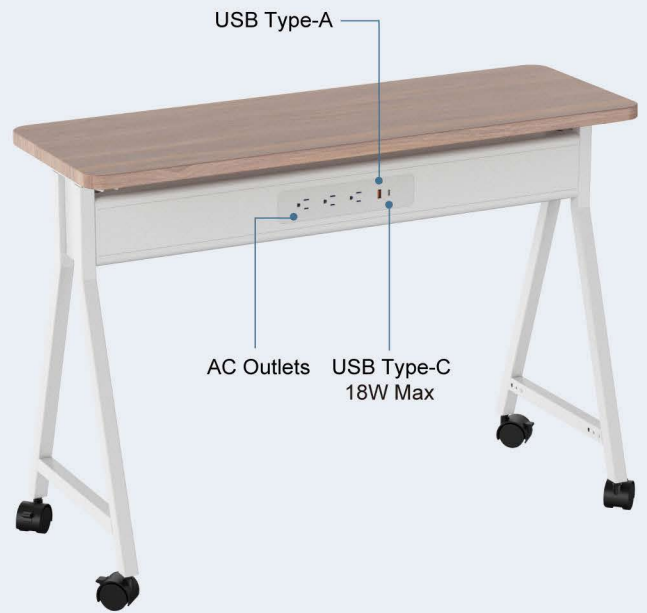
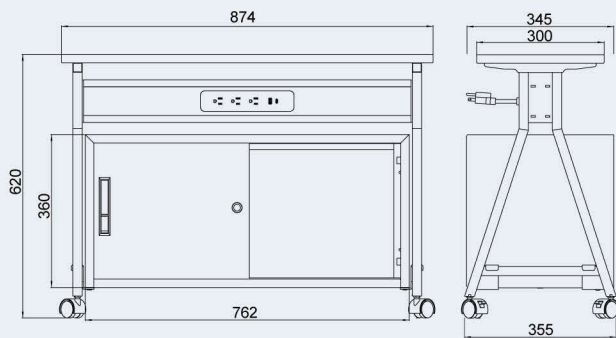
PS15

Standard Color



Features

- The powerful and beautiful charging table is designed to meet diverse needs for office business, home, hotel etc.
- The charging table includes one power modular in the middle of beam, 3A and quick impur for USB-C 18W, outside anti-scratch aluminum material, UL962A certification.
- Easily mobile on four dual-wheel casters (four locking).
- The charging table features a lightweight aluminum alloy frame finished in powder-coated for long-term durability and easy-care.



Certifications



Warranty

· 3 years, parts only



Specifications

Ports	AC Outlets 3xNEMA 5-15R USB Ports 1xUSB-A, 1xUSB-C
Cord	Length 5'8" (172.7cm)
Electrical Rating	Input Voltage 120VAC, 60Hz, (12A max) USB Ports Connected to one of the two ports 1) USB-A: 5V3A, 9V2A, 12V1.5A (18W max), QC 2.0/3.0 2) USB-C: 5V3A, 9V2A, 12V1.5A (18W max), PD 3.0 Both ports connected USB-A and USB-C: 5V/3A (15W max)
Environmental	Temperature Operating 0°C to 30°C Temperature Operating Storage -10°C to 50°C
Package	1Pc/Ctn; 420Pcs/20'GP Without Cabinet

Available Models



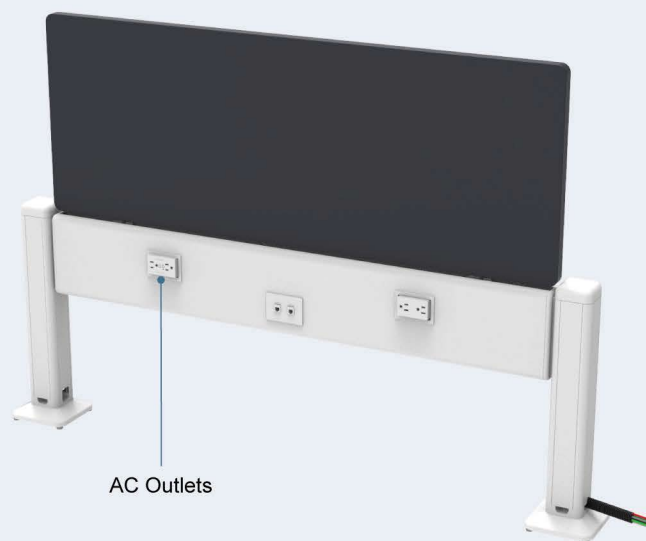
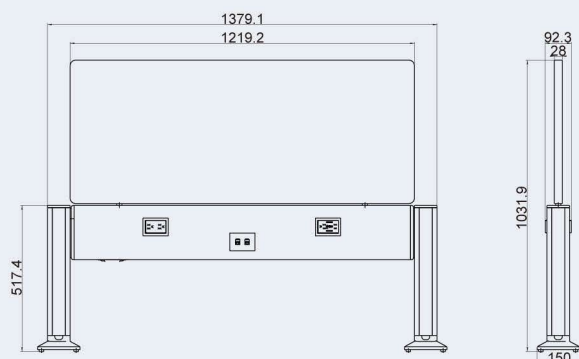
PS16

Standard Color



Features

- Flexible power feeds of extension through flexible metal conduit.
- Four circuits with 4-line conductors, 2 neutrals and 2 grounds.
- Fourth circuit is isolated and dedicated.
- Shape: Straight, 2 way 90 degree, 3 way, 4 way.
- Separate cable/data channel that allows for lay-in cable runs.



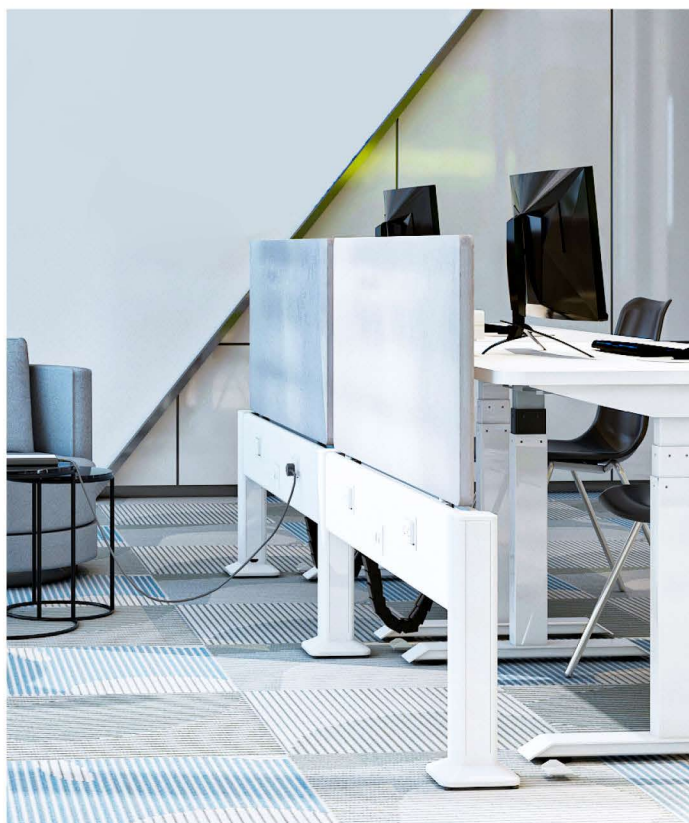
AC Outlets

Certifications



Warranty

· 3 years, parts only



Specifications

Ports	AC Outlets 4×120 V A/C outlets
	CAT6 Intranet Outlets 2×CAT6 intranet outlets
	Base Infeed & Ceiling Infeed for Each Connection Beam Set 1×base power output 1×ceiling power output
	Jumper Festoon 22" for Extension Beams 2 station need 1pc 3 station need 2pcs 4 station need 4pcs
Cord	Length 5'8" (172.7cm)
Electrical Rating	Power connecting solution with UL certified ceiling feed & base feed for 8 wire 4circuit
Environmental	Temperature Operating 0°C to 30°C
	Temperature Operating Storage -10°C to 50°C
Package	1Set/Ctn (1×Beam+2×legs)

Flexible Configurations



iPanda



OME002.3A1U1C



OME001.2A1U1C



OME009

MiraHub



OME020

Oval



OME005.3A1U1C.1



OME005.3A1U1C.2



OME005.3A1U1C.3



OME005.3A1U1C.4



OME005.3A1U1C.5



OME003.3A1U1C.1



OME003.3A1U1C.3



OME003.3A1U1C.4



OME003.3A1U1C.5

Create



OM-2A



OM-1A2U



OM-2A2U



OM-2A1U1C

Triones



OME015



OME021



OME025

Power Strip



OME10A



OME010BS

Power Linker



PBK-1WAY



PS03



PS11



PS13



PS15

Docker



VPB

Important Safety Instructions

Before USE

Product is to be used indoors only.

- Inspect thoroughly before installation and use. Do not use if damaged.
 - Do not run cord through doorways or holes in ceilings/walls/floors.
 - Fully insert plug into outlet.
 - Do not remove, bend or modify metal prongs or pins of cord.
 - Do not use excessive force to make connections.
-

During USE

- Keep away from water.
 - Do not use when wet.
 - Keep children and pets away from product.
 - Avoid overheating. Uncoil cord and do not cover it with any material.
 - Do not drive, drag or place objects over cord.
 - Do not walk on cord.
 - Do not plug an extension cord or power strip into product.
 - Do not plug product into an extension cord or adapter.
 - Do not plug an electrical table into product.
 - Do not put any metal objects in outlet to avoid getting shocked/hurt.
-

After USE

- Grasp plug to remove from outlet. Do not unplug by pulling on cord.
- Always store product indoors.



Your Innovative Electrical Solution



omni

HEADQUARTERS

Jiangsu Omni Industrial Co.,Ltd
Add:No. 9 YinBai Road,Hanjiang Industrial Park,Yangzhou,Jiangsu,China
Website:www.omnigroup.cn www.omnidesking.com
E-mail:sales@omnipart.cn
Tel:0086-514-85881909

OmniMax

AFTER-SERVICE CENTER USA

OmniMax
Add: 7711 Country Road 513 Anna, TX 75409
P:972.924.2443
F:972.924.2674
E-mail: john@omnimaxusa.com