

Innovation Ergonomic Monitor Arm Collection



2023

HiRobot

FLEXIBLE | ERGONOMIC | SUSTAINABLE



SGS

No.: AJHL2201000300FT

Hi Robot improves comfort, health, and productivity while offering instant use of all devices through universal 3A1U1C power socket connection.

Hi Robot is at the heart of the effortlessly connected, active workspace.

HiRobot

Dual with Power Socket

- Dual aluminum monitor arm
- Easily changed to tablet/pad tray/monitor without any tool
- Integrated with power socket
- Freely adjustable height available
- Cable management system

Standard Color



Clean Look

Cable Clips keeps wires in place

Height Adjustable

Easily raise or lower for proper height



360° swivel

Portrait/landscape rotation

Ergonomic

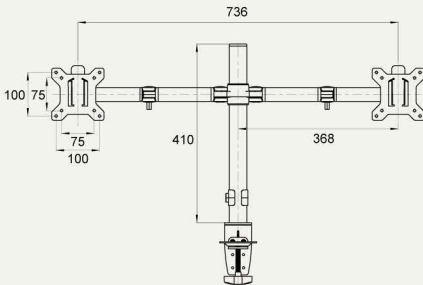
Adjust viewing distance and angle for comfort

Aluminium power socket
3A1U1C(US standard)



Swappable Mount

C-clamp or grommet



Specification

Material	aluminum+steel
Screen Size	13"-27"
Load	8kg every monitor
VESA	75/100mm
Tilt	-90°/+35°
Swivel	180°
Rotation	360°

Installation



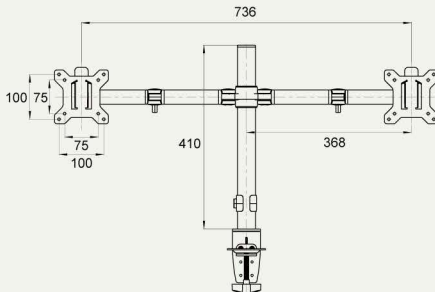
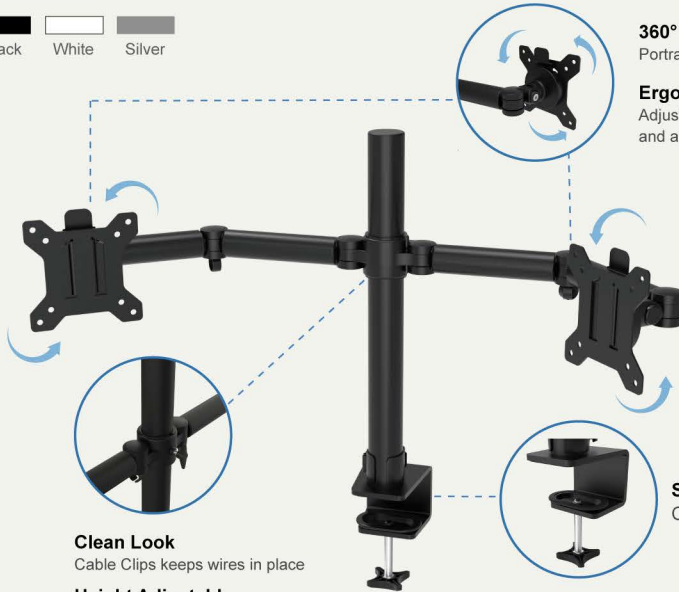
Two-piece table clamp

HiRobot

Dual

- Dual aluminum monitor arm
- Easily changed to tablet/pad tray/monitor without any tool
- Freely adjustable height available
- Cable management system

Standard Color



Specification

Material	aluminum+steel
Screen Size	13"-27"
Load	8kg every monitor
VESA	75/100mm
Tilt	-90°/+35°
Swivel	180°
Rotation	360°

Installation



Two-piece table clamp

HiRobot

Single

- Single aluminum monitor arm
- Easily changed to tablet/pad tray/monitor without any tool
- Freely adjustable height available
- Cable management system

Standard Color



360° swivel

Portrait/landscape rotation

Ergonomic

Adjust viewing distance and angle for comfort

Clean Look

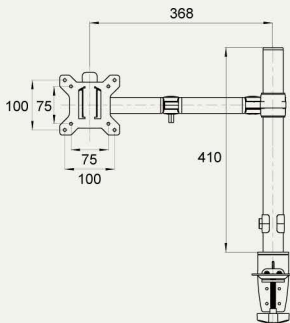
Cable Clips keeps wires in place

Height Adjustable

Easily raise or lower for proper height

Swappable Mount

C-clamp or grommet



Specification

Material	aluminum+steel
Screen Size	13"-27"
Load	8kg every monitor
VESA	75/100mm
Tilt	-90°/+35°
Swivel	180°
Rotation	360°

Installation



Two-piece table clamp

Single



MA200A3



MA200A

Dual



MA200B3



MA200B



MA200B2



MA200B4



MA200B6



MA200B5

Dual with Power Socket



MA200A1E3



MA200B1E3



MA200B2E3



MA200B4E3

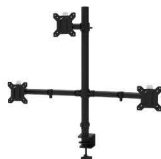


MA200B6E3



MA200B5E3

Triple



MA200C



MA200C1E3



HiRobot Column

Columns are secure using a drilling screw base and are available in 15.75" and 27.56" column heights. Available in black, white or silver.

Description	Height	Base
Base 410	410mm/16.14"	Drilling Screw
Base 710	710mm/27.95"	Drilling Screw

Single



Dual



HiRobot Arm

Support arm for attached monitor, ipad, tablet, cell phone or other devices. HiRobot arms are easy to adjust vertically along the base column, as well as distance to the users. Available in black, white or silver.

Description	Width	Max Weight
Arm M	278.23mm/10.95"	8kg/17.64lbs
Arm L	441.73mm/17.39"	8kg/17.64lbs



VESA Plate



Cell Phone Plate



Ipad Plate



Laptop Plate

HiRobot Connect Plate

Connect plates for support monitor, ipad, laptop, cell phone or other devices. Available in black, white or silver.

VESA 75/100 standard.

Description	Width	Height
VESA Plate	120mm/4.72"	120mm/4.72"
Cell Phone Plate	116mm/4.57"	125mm/4.92"
Ipad Plate	241mm/9.49"	104.5mm/4.11"
Laptop Plate	320mm/12.6"	242mm/9.53"



Desk Clamp Grommet Free Standing Screen Sliding

HiRobot Installation Option

Four installation desk clamp, grommet, free standing and screen sliding satisfy any situation. Desk clamp standard.

Hi.Koni

COMFORTABLE | ERGONOMIC | ELEGANT



SGS

No.: AJHL2211004953FT

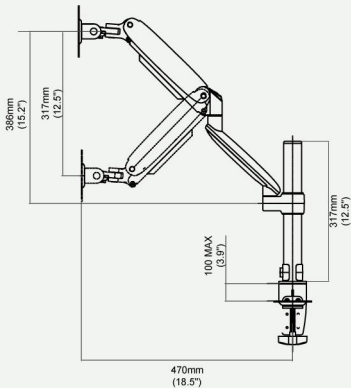
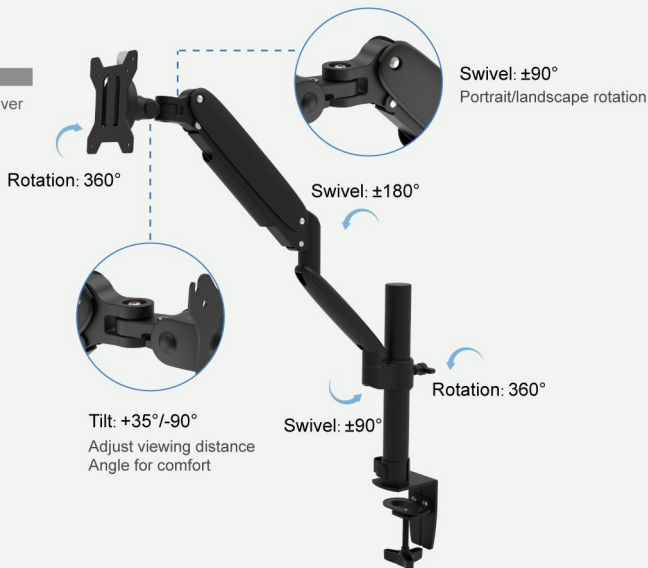
Hi Koni from omni is a unique innovation that merges ergonomics and gas spring, providing a creative solution to easily make the screen to the best position and angle for your eye level.

Hi.Koni

Single

- Gas spring aluminum monitor arm
- Easily installation
- Cable management
- Fatigue Test 40000 times

Standard Color



Specifications

Screen Size	10-30"
Weight Capacity(Per Arm)	2-11kg
Arm MAX Extension	470mm(18.5")
Arm MAX Height	634mm(24.9")
Cable Management	Yes
VESA Compatible	75x75mm,100x100mm
Material	Aluminum
Tilt	-90°/+35°
Swivel	360°
Rotation	360°
Height Adjustable	Gas spring
Clamp Range	0-100mm(0-3.9")
Warranty	2 years

Installation

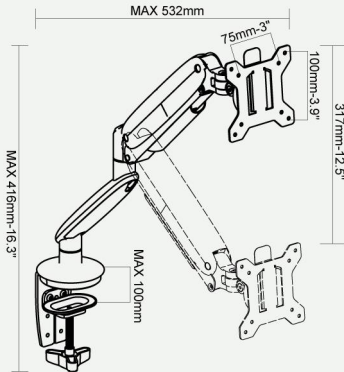
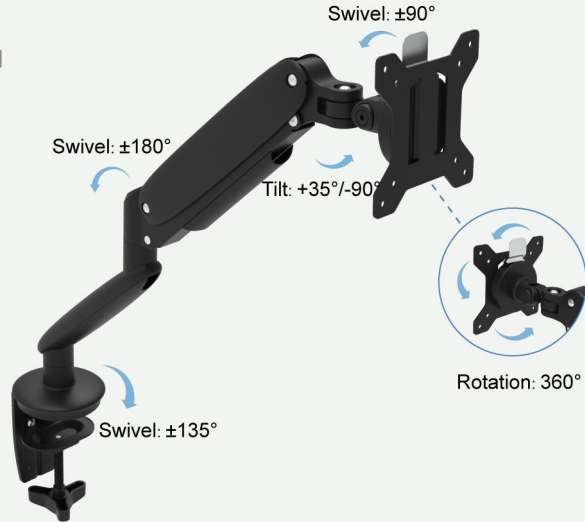


Hi.Koni

Single

- Gas spring aluminum monitor arm
- Easily installation
- Cable management
- Fatigue Test 40000 times

Standard Color



Specifications

Screen Size	10-30"
Weight Capacity(Per Arm)	2-11kg
Arm MAX Extension	532mm(20.9")
Arm MAX Height	416mm(15.2")
Cable Management	Yes
VESA Compatible	75x75mm,100x100mm
Material	Aluminum
Tilt	$-90^\circ/+35^\circ$
Swivel	360°
Rotation	360°
Height Adjustable	Gas spring
Clamp Range	0-100mm(0-3.9")
Warranty	2 years

Installation



Single



Dual



**Dual
with
Power Socket**



MNA-FS-100DB.XX
Offer power station 65w

Hi.Truss

ORIGINAL | PROFESSIONAL | MULTIPLE | ERGONOMIC



Hi.Truss is easily adjust the the monitor to the best position, reduce the pressure of you back and shoulder, free up the desktop space. Innovated integrated with power socket, charge your device directly.

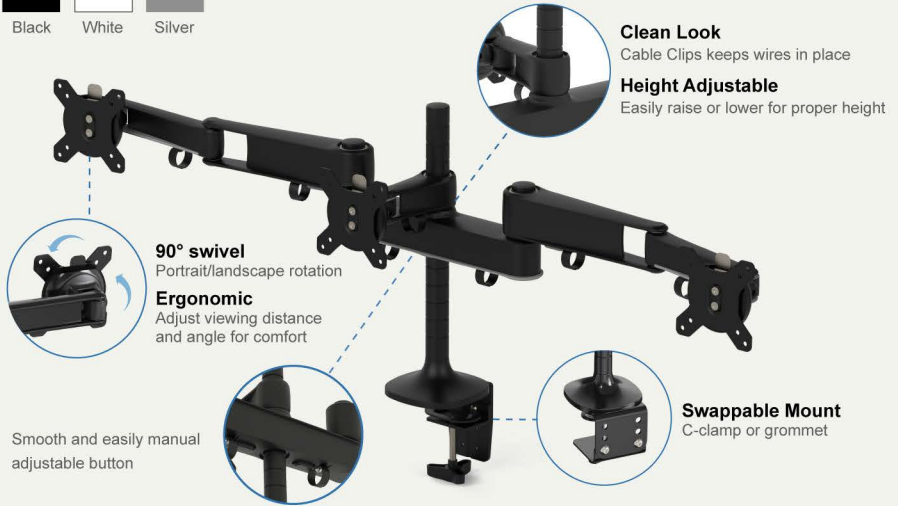
Hi.Truss is for multi screen options, suitable for various space: office, hotel, esports, financial, security, commerical, etc.

Hi.Truss

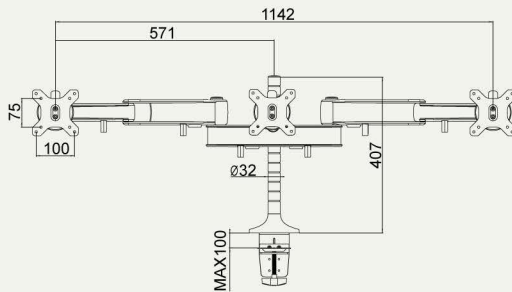
Triple

- Multit-screen monitor arm
- Easy installation
- Cable management
- Integrated with power socket
- Freely adjustable height available

Standard Color



Specifications



Screen Size	0-32"
Weight Capacity(Per Arm)	8kg
Arm MAX Extension	525mm(20.7")
Arm MAX Height	407mm(16")
Cable Management	Yes
VESA Compatible	75x75mm,100x100mm
Material	Aluminum
Tilt	±60°
Swivel	360°
Rotation	360°
Height Adjustable	Manual adjustment
Fatigue test	40000 times
Clamp Range	0-100mm(0-3.9")
Warranty	2 years

Installation



Desk clamp



Grommet

Single



MA400A



MA400AE3

Dual



MA400A1



MA400A2



MA400A2E3



MA400B



MA400BE3

Triple



MA400C



MA400CE3

Multiple



MA400D



MA400F

Your Innovative Monitor Arm Solution



omni

HEADQUARTERS

Jiangsu Omni Industrial Co.,Ltd
Add:No. 9 YinBai Road,Hanjiang Industrial Park,Yangzhou,Jiangsu,China
Website:www.omnigroup.cn www.omnidesking.com
E-mail:sales@omnipart.cn
Tel:0086-514-85881909

OmniMax

AFTER-SERVICE CENTER USA

OmniMax
Add: 7711 Country Road 513 Anna, TX 75409
P:972.924.2443
F:972.924.2674
E-mail: john@omnimaxusa.com